

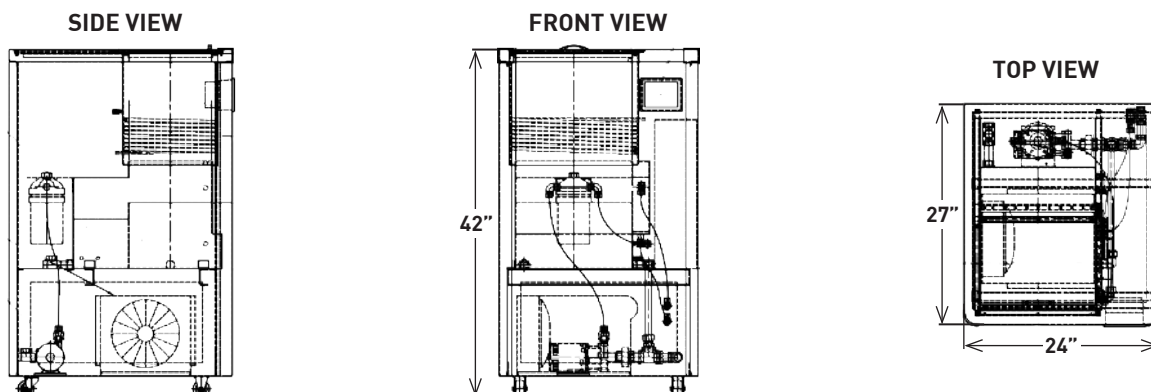
# WASH-1 DEBINDER SPECIFICATIONS

The first step in transforming a printed “green” part into fully dense metal is debinding. The Wash-1 immerses the green part in a specialized fluid which removes the primary binding material, leaving the part semi-porous so the remaining binder can easily burn off during sintering. This debinding step purifies the final metal part and helps keep your sintering furnace clean.

<b>DEBINDER PROPERTIES</b>	<b>Materials Supported</b>	All Metals
	<b>Fluid</b>	Opteon Sion
	<b>Controller</b>	Integrated Control System
	<b>Workholding</b>	Stainless Steel Basket
	<b>Washing Size</b>	356 mm x 254 mm x 203 mm (14" x 10" x 8")
	<b>Washing Volume</b>	18,356 cubic cm (1120 cubic in)
<b>SAFETY &amp; INSTALLATION</b>	<b>Environmental Req.</b>	External Exhaust
	<b>Safety Control</b>	Low Fluid Shutoff Control High Vapor Pressure Shutoff Control
	<b>Regulatory</b>	Refer to MSDS
	<b>Emissions</b>	Low Emission Design to Conserve Solvent
	<b>Power</b>	120/240 VAC Single Phase
	<b>PHYSICAL DIMENSIONS</b>	<b>External Dimensions</b>
<b>Weight</b>		136 kg (300 lbs)

**MACHINE COST**

**\$9,990**



All specifications approximate and subject to change without notice.